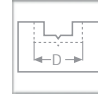




Drilling



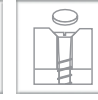
CNC & Automatic Machines



Multi Purpose Boring



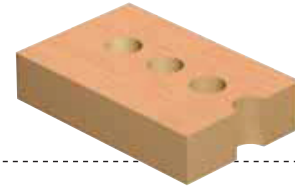
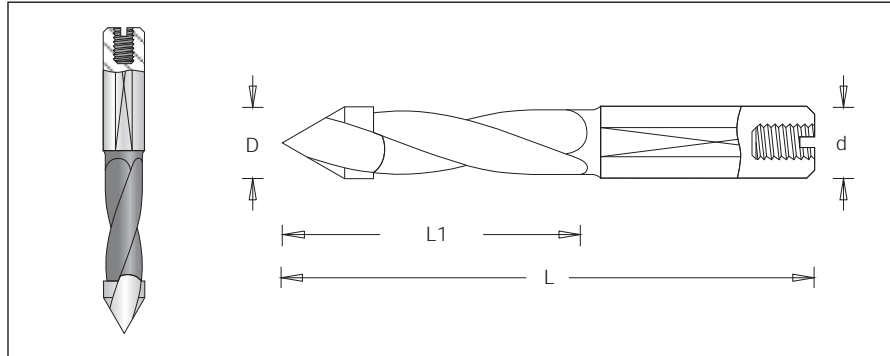
Slot Mortising



Counter Sinking & Plug maker



201 Bk - Through Hole Drilling

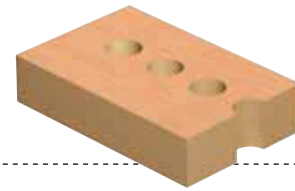
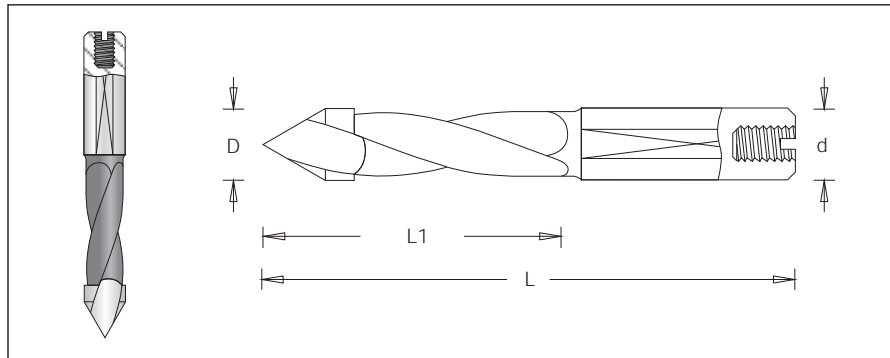


øD	Code No.		L1	L	ød
	Right	Left			
5	201 624 7	201 625 7	45	77	10x25
6	201 626 7	201 627 7	45	77	10x25
7	201 631 7	201 632 7	45	77	10x25
8	201 628 7	201 629 7	45	77	10x25
9	201 637 7	201 638 7	45	77	10x25
10	201 641 7	201 642 7	45	77	10x25



Screw
#193 000 0
M5x10

201 Bk - Through Hole Drilling 8mm Shank



øD	Code No.		L1	L	ød
	Right	Left			
5	201 604 5	201 605 5	25	55.5	8x20
8	201 608 5	201 609 5	25	55.5	8x20
5	201 614 5	201 615 5	35	67.0	8x20
8	201 618 5	201 619 5	35	67.0	8x20



Screw
#193 000 0
M5x10

Sawing



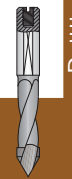
CNC



Cutting



Drilling

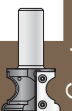


Routing



Plastic, Corian, Aluminum

Custom Tooling

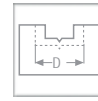




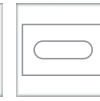
D rilling



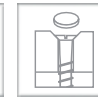
CNC & Automatic Machines



Multi Purpose Boring



Slot Mortising



Counter Sinking & Plug maker



Sawing



CNC

Cutting



Drilling

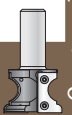


Routing

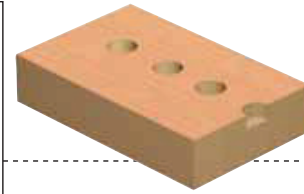
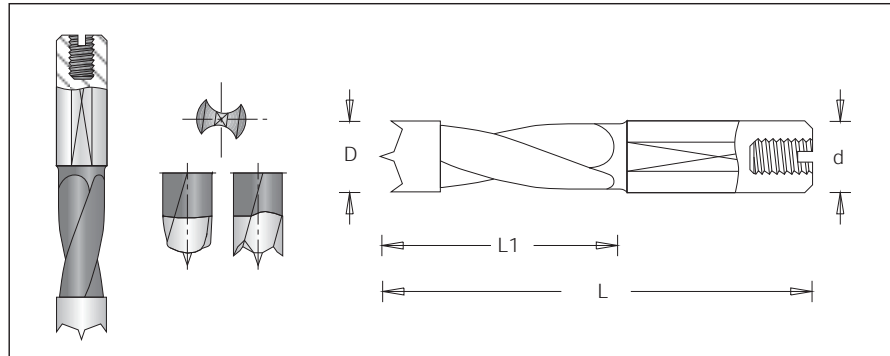


Plastic, Corian, Aluminum

Custom Tooling



D itec™ D ovel D rill

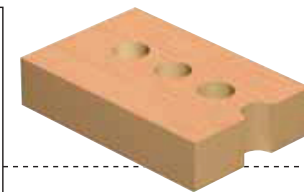
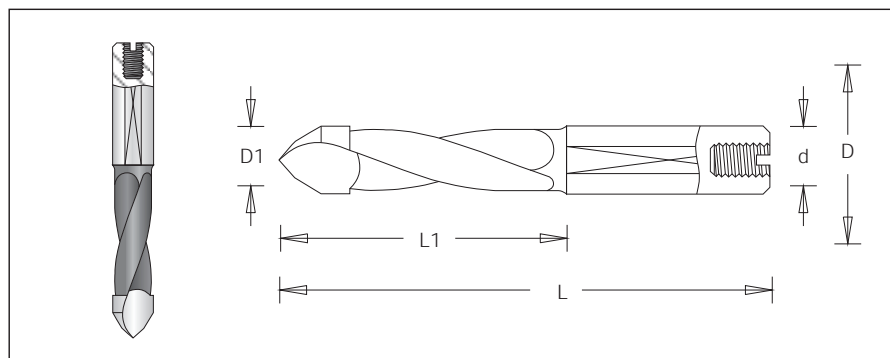


øD	Code No.		L1	L	ød
	Right	Left			
5	201 705 7	201 706 7	27	57.5	10x25
8	201 713 7	201 716 7	27	57.5	10x25
10	201 722 7	201 723 7	27	57.5	10x25
5	201 731 7	201 734 7	35	70.0	10x25
8	201 743 7	201 746 7	35	70.0	10x25
10	201 745 7	201 748 7	35	70.0	10x25



Screw
#193 000 0
M5x10

D itec™ Through H ole D rilling



øD	Code No.		L1	L	ød
	Right	Left			
5	201 760 7	201 761 7	27	57.5	10x25
8	201 762 7	201 763 7	27	57.5	10x25
10	201 764 7	201 765 7	27	57.5	10x25
5	201 770 7	201 771 7	35	70.0	10x25
8	201 772 7	201 773 7	35	70.0	10x25
10	201 774 7	201 775 7	35	70.0	10x25



Screw
#193 000 0
M5x10