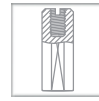
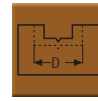




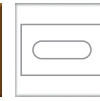
D rilling



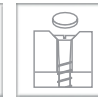
CNC & Automatic Machines



Multi Purpose Boring



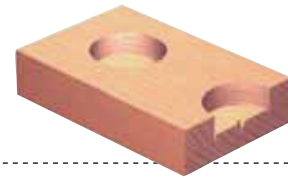
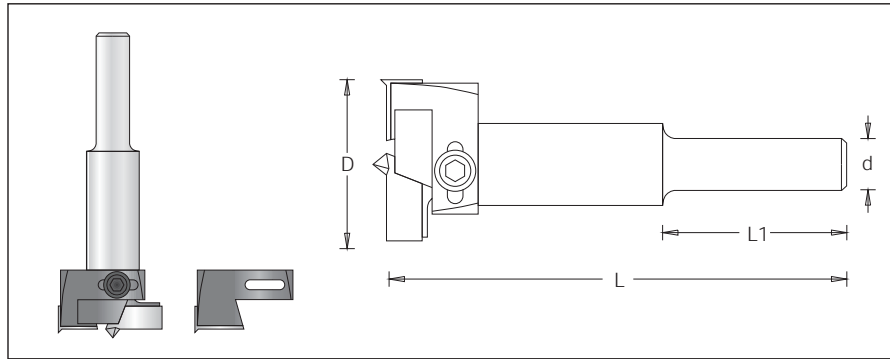
Slot Mortising



Counter Sinking & Plug maker



203 BM - A djustable Cylinder Boring Bit



	$\varnothing D$	Code No.	L1	L	$\varnothing d$
Complete	30.0-60.0	203 501 7	35	90	10

⚠ With centering point two scorers, one fixed and one adjustable. Supplied with adjustable knife for range 30-45 mm. A additional knife for the 45-60 mm range and matching hexagonal key.

Spare Parts



Knife
#203 512 0
30-45



Knife
#203 520 0
45-60

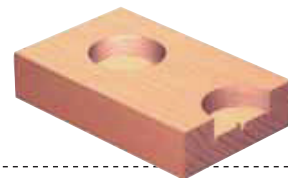
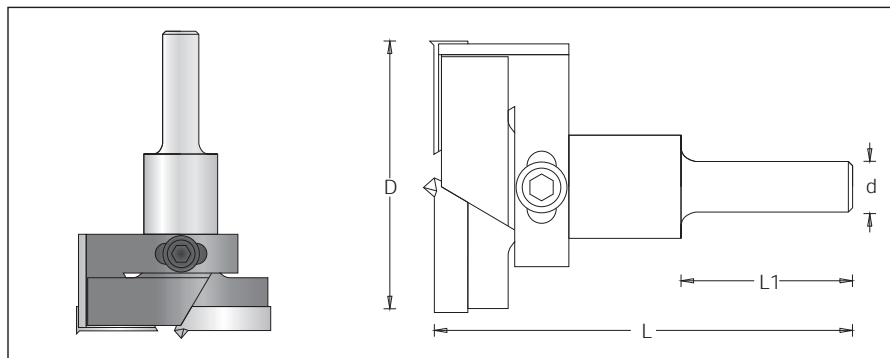


Allen screw
#193 013 0
4.8x16



Allen key
#194 010 0
5/32"

203 BM - A djustable Cylinder Boring Bit



	$\varnothing D$	Code No.	L1	L	$\varnothing d$
Complete	60.0-80.0	203 504 8	40	100	12.7

⚠ With centering point two scorers, one fixed and one adjustable covering the range of 60-80 mm. Supplied with matching hexagonal key.

Spare Parts



Knife
#203 525 0
60-80



Allen screw
#193 010 0
6.3x19

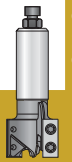


Allen key
#194 007 0
3/16"

Sawing



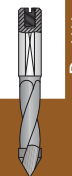
CNC



Cutting



D rilling



Routing



Plastic, Corian, Aluminium

Custom Tooling

