



# D rilling



CNC & Automatic Machines



Multi Purpose Boring



Slot Mortising



Counter Sinking & Plug maker



Sawing



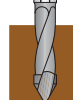
CNC



Cutting



D rilling



Routing

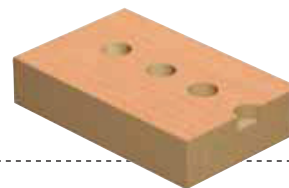
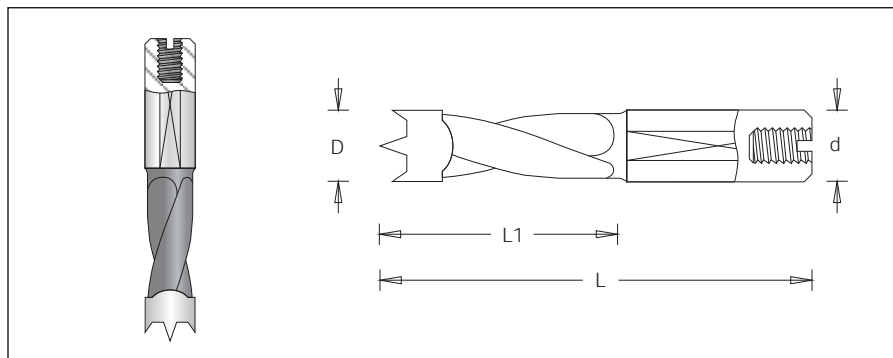


Plastic, Corian, Aluminum

Custom Tooling



## 201 Bk - D owel D rill



øD	Code No.		L1	L	ød
	Right	Left			
4.0	201 281 7	201 282 7	27	57.5	10x27
5.0	201 001 7	201 004 7	27	57.5	10x27
5.1	201 005 7	201 006 7	27	57.5	10x27
5.2	201 020 7	201 021 7	27	57.5	10x27
6.0	201 007 7	201 010 7	27	57.5	10x27
7.0	201 008 7	201 011 7	27	57.5	10x27
8.0	201 013 7	201 016 7	27	57.5	10x27
8.2	201 029 7	201 030 7	27	57.5	10x27
9.0	201 015 7	201 017 7	27	57.5	10x27
10.0	201 019 7	201 022 7	27	57.5	10x27
11.0	201 023 7	201 024 7	27	57.5	10x27
12.0	201 025 7	201 028 7	27	57.5	10x27



Screw  
#193 000 0  
M5x10

øD	Code No.		L1	L	ød
	Right	Left			
4.0	201 287 7	201 288 7	35	70	10x30
5.0	201 031 7	201 034 7	35	70	10x30
5.1	201 035 7	201 036 7	35	70	10x30
5.2	201 274 7	201 275 7	35	70	10x30
6.0	201 037 7	201 040 7	35	70	10x30
7.0	201 038 7	201 041 7	35	70	10x30
8.0	201 043 7	201 046 7	35	70	10x30
8.2	201 232 7	201 233 7	35	70	10x30
9.0	201 047 7	201 048 7	35	70	10x30
10.0	201 049 7	201 052 7	35	70	10x30
11.0	201 062 7	201 063 7	35	70	10x30
12.0	201 055 7	201 058 7	35	70	10x30



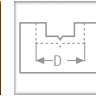
Screw  
#193 000 0  
M5x10



# D rilling



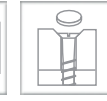
CNC & Automatic Machines



Multi Purpose Boring



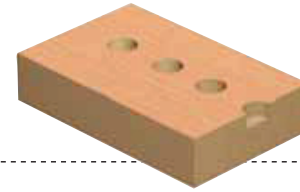
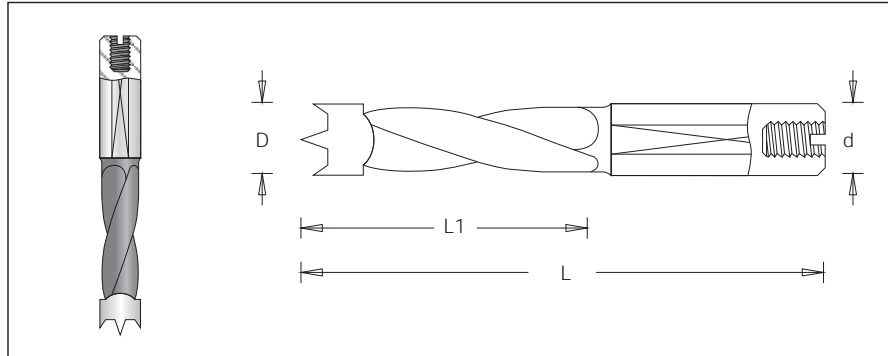
Slot Mortising



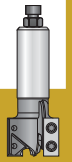
Counter Sinking & Plug maker



## 201 Bk - D owel D rill



Sawing



CNC

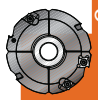
øD	Code No.		L1	L	ød
	Right	Left			
5.0	201 202 7	201 203 7	44	77	10x30
5.1	201 270 7	201 271 7	44	77	10x30
5.2	201 204 7	201 205 7	44	77	10x30
6.0	201 206 7	201 207 7	44	77	10x30
7.0	201 208 7	201 209 7	44	77	10x30
8.0	201 210 7	201 211 7	44	77	10x30
8.2	201 242 7	201 243 7	44	77	10x30
9.0	201 250 7	201 251 7	44	77	10x30
10.0	201 214 7	201 215 7	44	77	10x30
11.0	201 256 7	201 257 7	44	77	10x30
12.0	201 218 7	201 219 7	44	77	10x30

øD	Code No.		L1	L	ød
	Right	Left			
5.0	201 910 7	201 911 7	50	85	10x30
6.0	201 914 7	201 915 7	50	85	10x30
7.0	201 918 7	201 919 7	50	85	10x30
8.0	201 922 7	201 923 7	50	85	10x30
10.0	201 926 7	201 927 7	50	85	10x30
12.0	201 934 7	201 935 7	50	85	10x30

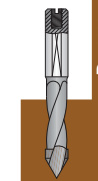
øD	Code No.		L1	L	ød
	Right	Left			
5.0	201 950 7	201 951 7	65	105	10x30
6.0	201 954 7	201 955 7	65	105	10x30
7.0	201 958 7	201 959 7	65	105	10x30
8.0	201 962 7	201 963 7	65	105	10x30
10.0	201 966 7	201 967 7	65	105	10x30
12.0	201 974 7	201 975 7	65	105	10x30
14.0	201 980 7		65	105	10x30



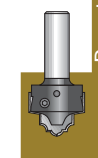
Screw  
#193 000 0  
M5x10



Cutting



Drilling



Routing

Plastic, Corian, Aluminum



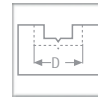
Custom Tooling



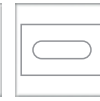
# D rilling



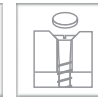
CNC &  
Automatic  
Machines



Multi  
Purpose  
Boring



Slot  
Mortising



Counter  
Sinking &  
Plug maker



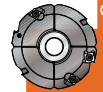
Sawing



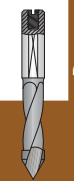
CNC



Cutting



Drilling

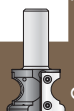


Routing

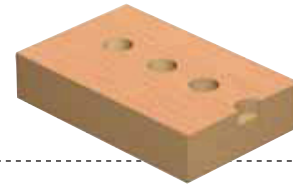
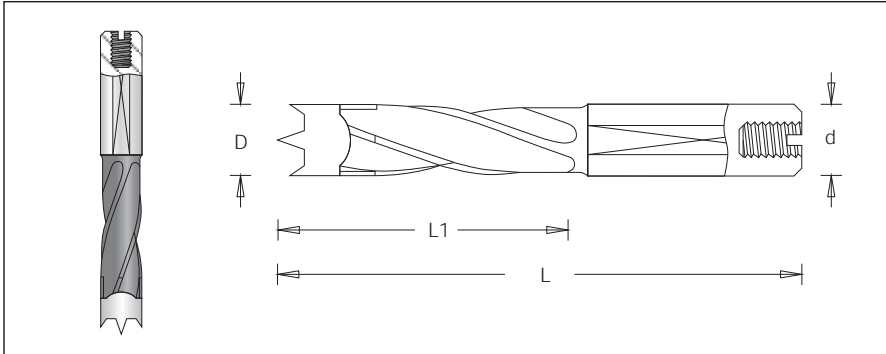


Plastic, Corian, Aluminum

Custom Tooling



201 Bk - D owel D rill - D ouble Flute



øD	Code No.		L1	L	ød
	Right	Left			
4.0	201 401 7	201 402 7	30	57.5	10x20
5.0	201 403 7	201 406 7	30	57.5	10x20
5.1	201 460 7	201 461 7	30	57.5	10x20
5.2	201 464 7	201 465 7	30	57.5	10x20
6.0	201 407 7	201 410 7	30	57.5	10x20
6.3	201 471 7	201 472 7	30	57.5	10x20
7.0	201 411 7	201 412 7	30	57.5	10x20
8.0	201 413 7	201 416 7	30	57.5	10x20
8.1	201 503 7	201 504 7	30	57.5	10x20
8.2	201 505 7	201 506 7	30	57.5	10x20
9.0	201 510 7	201 511 7	30	57.5	10x20
9.5	201 520 7	201 521 7	30	57.5	10x20
10.0	201 417 7	201 420 7	30	57.5	10x20
11.0	201 530 7	201 531 7	30	57.5	10x20
12.0	201 421 7	201 424 7	30	57.5	10x20
12.7	201 540 7	201 541 7	30	57.5	10x20
13.0	201 542 7	201 543 7	30	57.5	10x20
14.0	201 578 7	201 579 7	30	57.5	10x20
15.0	201 580 7	201 581 7	30	57.5	10x20
16.0	201 590 7	201 591 7	30	57.5	10x20



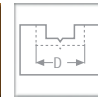
Screw  
#193 000 0  
M5x10



# D rilling



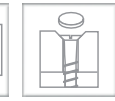
CNC & Automatic Machines



Multi Purpose Boring



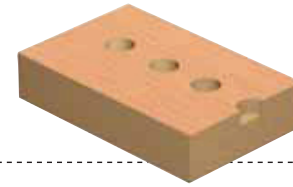
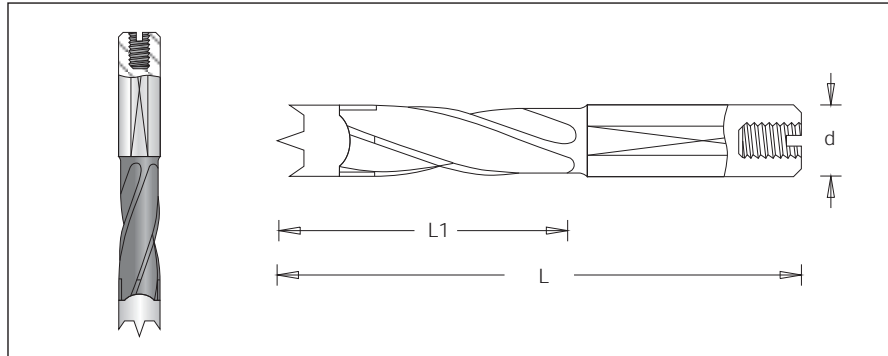
Slot Mortising



Counter Sinking & Plug maker



## 201 Bk - D owel D rill - D ouble Flute



øD	Code No.		L1	L	ød
	Right	Left			
4.0	201 432 7	201 434 7	43	70	10x20
5.0	201 433 7	201 436 7	43	70	10x20
5.1	201 428 7	201 429 7	43	70	10x20
5.2	201 430 7	201 431 7	43	70	10x20
6.0	201 437 7	201 440 7	43	70	10x20
6.3	201 458 7	201 459 7	43	70	10x20
7.0	201 441 7	201 442 7	43	70	10x20
8.0	201 443 7	201 446 7	43	70	10x20
8.1	201 487 7	201 488 7	43	70	10x20
8.2	201 489 7	201 490 7	43	70	10x20
9.0	201 491 7	201 492 7	43	70	10x20
9.5	201 493 7	201 494 7	43	70	10x20
10.0	201 447 7	201 450 7	43	70	10x20
11.0	201 448 7	201 455 7	43	70	10x20
12.0	201 451 7	201 454 7	43	70	10x20
12.7	201 456 7	201 457 7	43	70	10x20
14.0	201 594 7	201 595 7	43	70	10x20
15.0	201 596 7	201 597 7	43	70	10x20
16.0	201 598 7	201 599 7	43	70	10x20

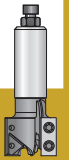
øD	Code No.		L1	L	ød
	Right	Left			
5.0	201 473 7	201 476 7	50	77	10x20
5.1	201 544 7	201 545 7	50	77	10x20
5.2	201 546 7	201 547 7	50	77	10x20
6.0	201 477 7	201 478 7	50	77	10x20
8.0	201 483 7	201 486 7	50	77	10x20
8.2	201 554 7	201 555 7	50	77	10x20
10.0	201 495 7	201 496 7	50	77	10x20
11.0	201 570 7	201 571 7	50	77	10x20
12.0	201 497 7	201 498 7	50	77	10x20



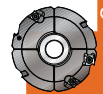
Screw  
#193 000 0  
M5x10



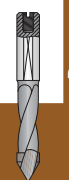
Sawing



CNC



Cutting

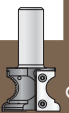


D rilling



Routing

Plastic, Corian, Aluminum



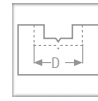
Custom Tooling



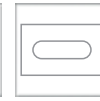
# D rilling



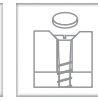
CNC & Automatic Machines



Multi Purpose Boring



Slot Mortising



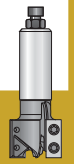
Counter Sinking & Plug maker



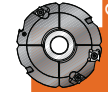
Sawing



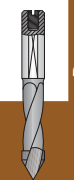
CNC



Cutting



D rilling

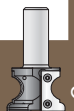


Routing

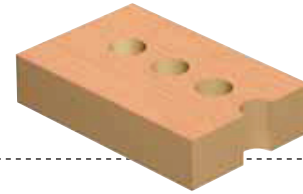
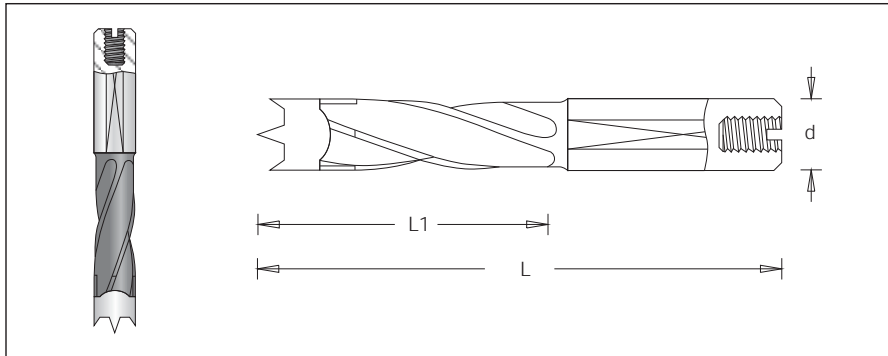


Plastic, Corian, Aluminum

Custom Tooling



## 201 Bk - D owel D rill - D ouble Flute 8mm Shank

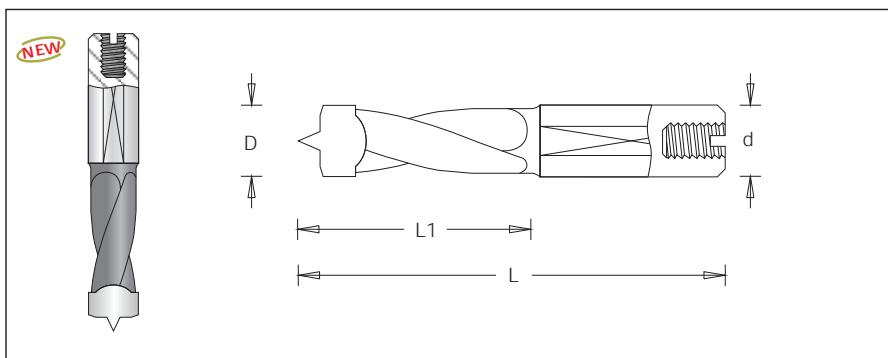


øD	Code No.		L1	L	ød
	Right	Left			
5	201 403 5	201 406 5	30	55.5	8x20
6	201 407 5	201 410 5	30	55.5	8x20
7	201 411 5	201 412 5	30	55.5	8x20
8	201 413 5	201 416 5	30	55.5	8x20
9	201 510 5	201 511 5	30	55.5	8x20
10	201 417 5	201 420 5	30	55.5	8x20
12	201 421 5	201 424 5	30	55.5	8x20
5	201 433 5	201 436 5	40	67.0	8x20
6	201 437 5	201 440 5	40	67.0	8x20
7	201 441 5	201 442 5	40	67.0	8x20
8	201 443 5	201 446 5	40	67.0	8x20
9	201 491 5	201 492 5	40	67.0	8x20
10	201 447 5	201 450 5	40	67.0	8x20
12	201 451 5	201 454 5	40	67.0	8x20



Screw  
#193 000 0  
M5x10

## 201 Bk - D owel D rill - for Mafell machine 8mm Shank



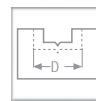
øD	Code No.		L1	L	ød
	Right	Left			
6	201 381 5	201 382 5	37	57.5	8x20
8	201 383 5	201 384 5	37	57.5	8x20
10	201 385 5	201 386 5	37	57.5	8x20
12	201 387 5	201 388 5	37	57.5	8x20



# D rilling



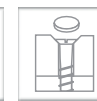
CNC & Automatic Machines



Multi Purpose Boring



Slot Mortising



Counter Sinking & Plug maker



Sawing



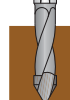
CNC



Cutting



Drilling



Routing



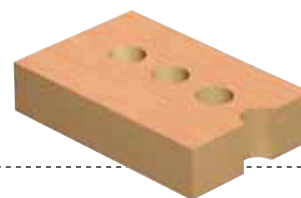
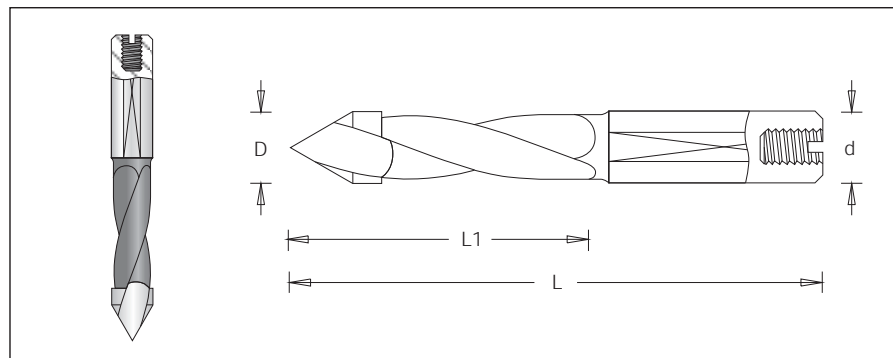
Plastic, Corian, Aluminum



Custom Tooling



## 201 Bk - Through Hole D rilling

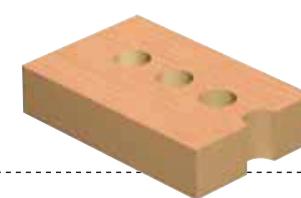
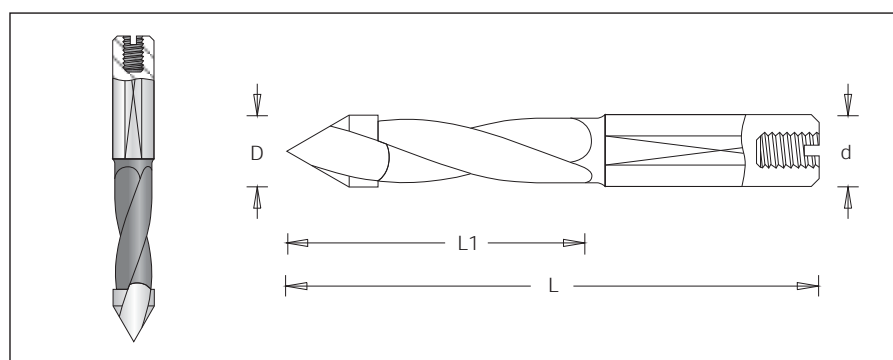


øD	Code No.		L1	L	ød
	Right	Left			
4	201 600 7	201 601 7	25	57.5	10x25
5	201 604 7	201 605 7	25	57.5	10x25
6	201 606 7	201 607 7	25	57.5	10x25
7	201 650 7	201 651 7	25	57.5	10x25
8	201 608 7	201 609 7	25	57.5	10x25
9	201 656 7	201 657 7	25	57.5	10x25
10	201 612 7	201 613 7	25	57.5	10x25



Screw  
#193 000 0  
M5x10

## 201 Bk - Through Hole D rilling



øD	Code No.		L1	L	ød
	Right	Left			
5	201 614 7	201 615 7	40	70	10x25
6	201 616 7	201 617 7	40	70	10x25
7	201 661 7	201 662 7	40	70	10x25
8	201 618 7	201 619 7	40	70	10x25
9	201 667 7	201 668 7	40	70	10x25
10	201 622 7	201 623 7	40	70	10x25
12	201 686 7	201 687 7	40	70	10x25



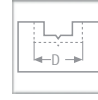
Screw  
#193 000 0  
M5x10



# D rilling



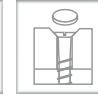
CNC & Automatic Machines



Multi Purpose Boring



Slot Mortising



Counter Sinking & Plug maker



Sawing



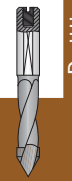
CNC



Cutting



D rilling

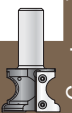


Routing

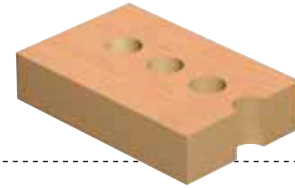
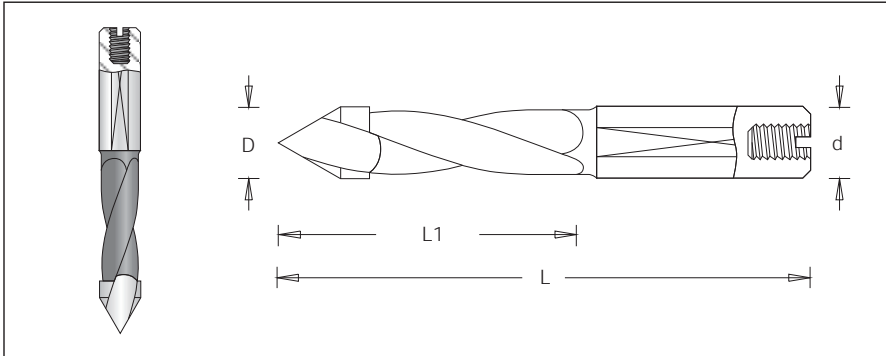


Plastic, Corian, Aluminum

Custom Tooling



## 201 Bk - Through H ole D rilling

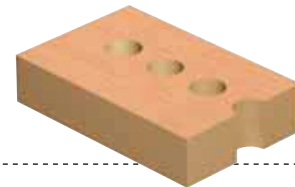
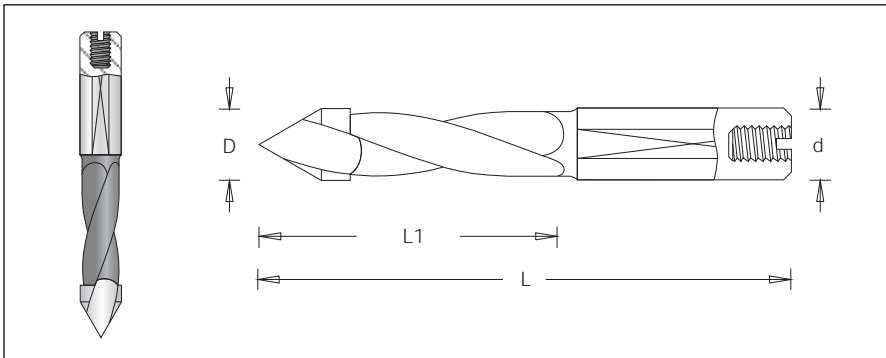


øD	Code No.		L1	L	ød
	Right	Left			
5	201 624 7	201 625 7	45	77	10x25
6	201 626 7	201 627 7	45	77	10x25
7	201 631 7	201 632 7	45	77	10x25
8	201 628 7	201 629 7	45	77	10x25
9	201 637 7	201 638 7	45	77	10x25
10	201 641 7	201 642 7	45	77	10x25



Screw  
#193 000 0  
M5x10

## 201 Bk - Through H ole D rilling 8mm Shank



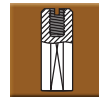
øD	Code No.		L1	L	ød
	Right	Left			
5	201 604 5	201 605 5	25	55.5	8x20
8	201 608 5	201 609 5	25	55.5	8x20
5	201 614 5	201 615 5	35	67.0	8x20
8	201 618 5	201 619 5	35	67.0	8x20



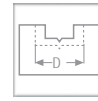
Screw  
#193 000 0  
M5x10



# D rilling



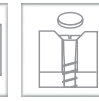
CNC & Automatic Machines



Multi Purpose Boring



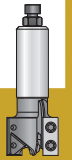
Slot Mortising



Counter Sinking & Plug maker



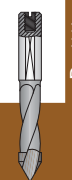
Sawing



CNC



Cutting

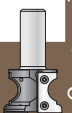


Drilling



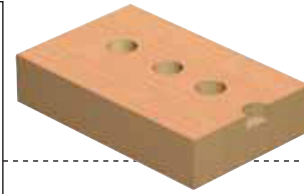
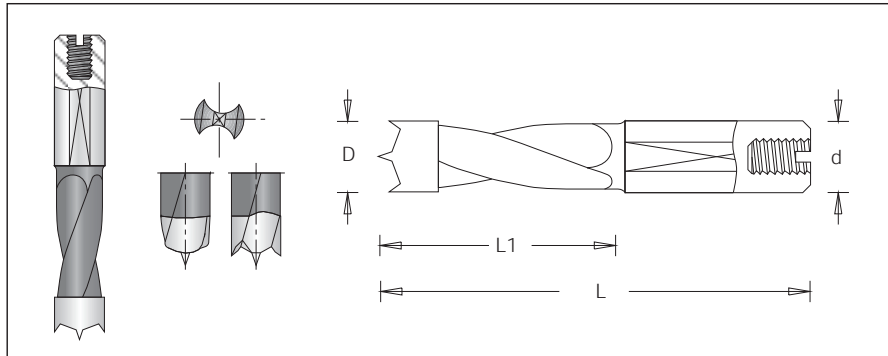
Routing

Plastic, Corian, Aluminum



Custom Tooling

## D itec™ D owel D rill

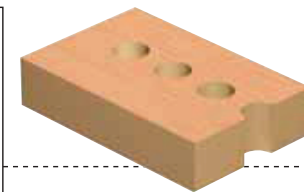
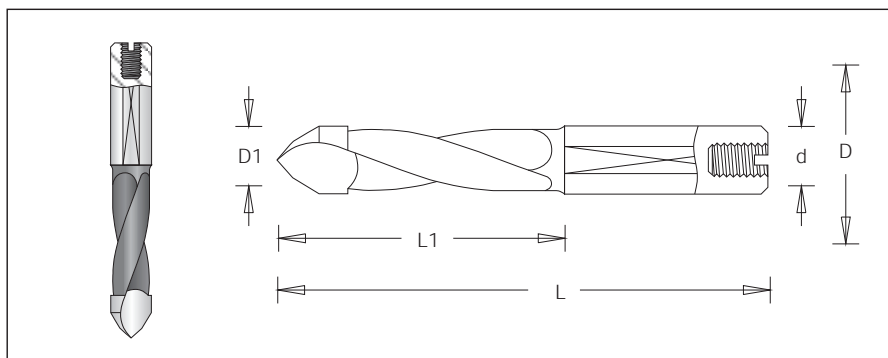


øD	Code No.		L1	L	ød
	Right	Left			
5	201 705 7	201 706 7	27	57.5	10x25
8	201 713 7	201 716 7	27	57.5	10x25
10	201 722 7	201 723 7	27	57.5	10x25
5	201 731 7	201 734 7	35	70.0	10x25
8	201 743 7	201 746 7	35	70.0	10x25
10	201 745 7	201 748 7	35	70.0	10x25



Screw  
#193 000 0  
M5x10

## D itec™ Through H ole D rilling



øD	Code No.		L1	L	ød
	Right	Left			
5	201 760 7	201 761 7	27	57.5	10x25
8	201 762 7	201 763 7	27	57.5	10x25
10	201 764 7	201 765 7	27	57.5	10x25
5	201 770 7	201 771 7	35	70.0	10x25
8	201 772 7	201 773 7	35	70.0	10x25
10	201 774 7	201 775 7	35	70.0	10x25



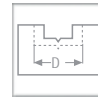
Screw  
#193 000 0  
M5x10



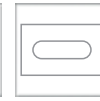
# D rilling



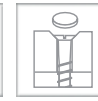
CNC & Automatic Machines



Multi Purpose Boring



Slot Mortising



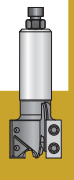
Counter Sinking & Plug maker



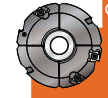
Sawing



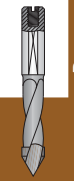
CNC



Cutting



Drilling

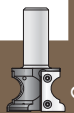


Routing

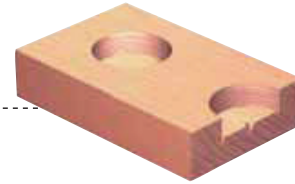
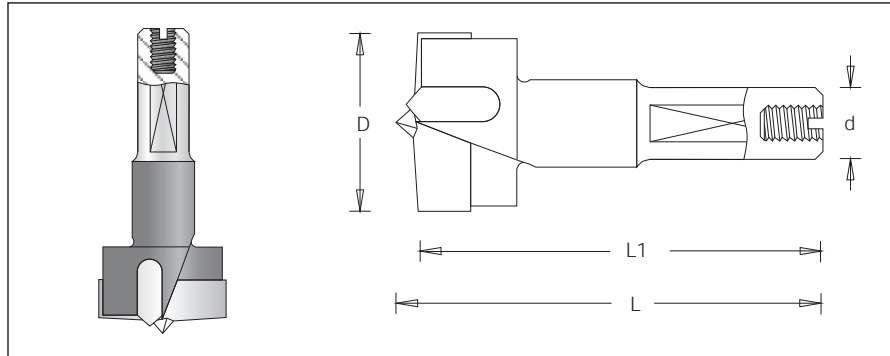


Plastic, Corian, Aluminum

Custom Tooling



## 203 Bk - Cylinder Boring Bit - Combi System



øD	Code No.		L1	L	ød
	Right	Left			
15	203 100 7	203 108 7	55.5	57.5	10x26
16	203 136 7	203 137 7	55.5	57.5	10x26
18	203 102 7	203 109 7	55.5	57.5	10x26
20	203 101 7	203 104 7	55.5	57.5	10x26
22	203 103 7	203 105 7	55.5	57.5	10x26
25	203 107 7	203 110 7	55.5	57.5	10x26
26	203 113 7	203 116 7	55.5	57.5	10x26
28	203 115 7	203 117 7	55.5	57.5	10x26
30	203 119 7	203 122 7	55.5	57.5	10x26
35	203 125 7	203 128 7	55.5	57.5	10x26
38	203 126 7	203 127 7	55.5	57.5	10x26
40	203 131 7	203 134 7	55.5	57.5	10x26



Screw  
#193 000 0  
M5x10

øD	Code No.		L1	L	ød
	Right	Left			
15	203 140 7	203 141 7	68	70	10x26
20	203 142 7	203 143 7	68	70	10x26
25	203 144 7	203 145 7	68	70	10x26
30	203 146 7	203 147 7	68	70	10x26
35	203 148 7	203 149 7	68	70	10x26
25	203 160 7	203 161 7	75	77	10x26
30	203 155 7	203 156 7	75	77	10x26
35	203 151 7	203 150 7	75	77	10x26



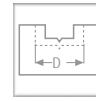
Screw  
#193 000 0  
M5x10



# D rilling



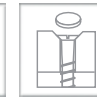
CNC & Automatic Machines



Multi Purpose Boring



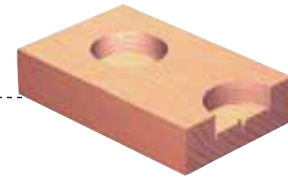
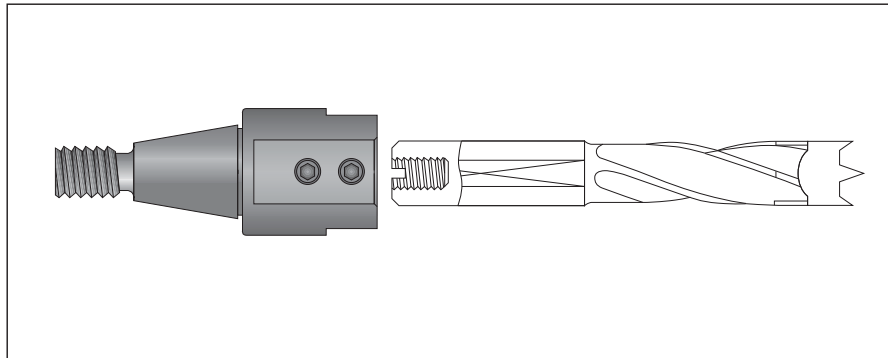
Slot Mortising



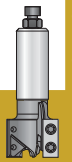
Counter Sinking & Plug maker



## 203 T - Combi Chuck



Sawing



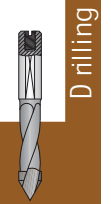
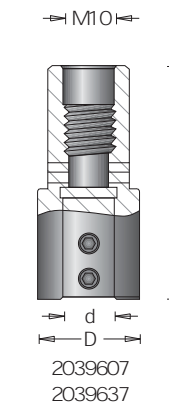
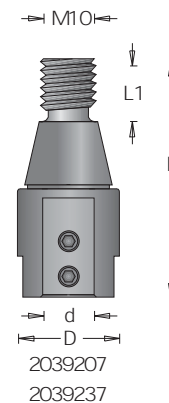
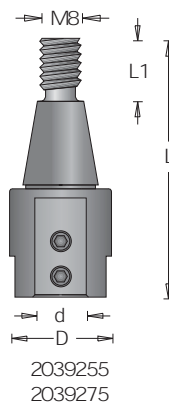
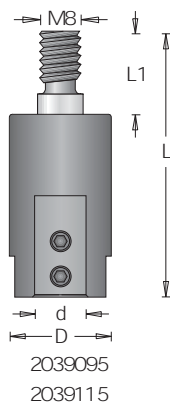
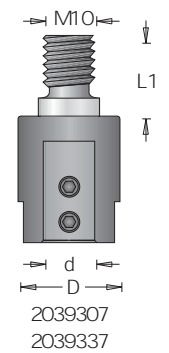
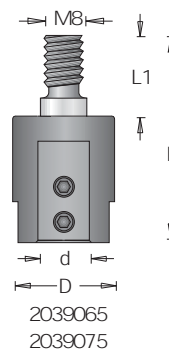
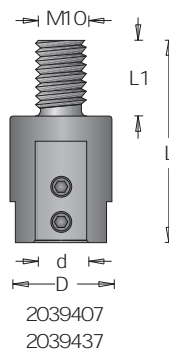
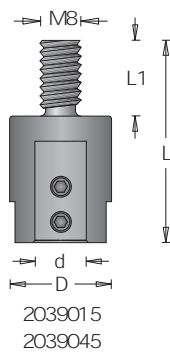
CNC

For Machines	øD	Code No.		M	L1	L	ød
		Right	Left				
Nottmeyer	20	203 901 5	203 904 5	8	15	40	10
	20	203 906 5	203 907 5	8	16	41	10
	20	203 909 5	203 911 5	8	15	52	10
Vitap, Busselato, Ompex	20	203 920 7	203 923 7	10	12	47	10
Bilek	20	203 925 5	203 927 5	8	12	51	10
Ayen, Torwegge, Holzma	20	203 940 7	203 943 7	10	15	40	10
Holzma, S.C.M.I, Morbidelli, Bisse, Torwegge	20	203 930 7	203 933 7	10	16	41	10
Scheer	20	203 960 7	203 963 7	10		46	10



Cutting

**▲** Advanced chuck system replacing thread-shank tools. Suitable for most automatic multi-spindle drilling machines



D rilling



Routing



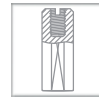
Plastic, Corian, Aluminum



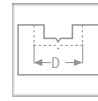
Custom Tooling



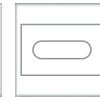
# D rilling



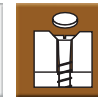
CNC & Automatic Machines



Multi Purpose Boring



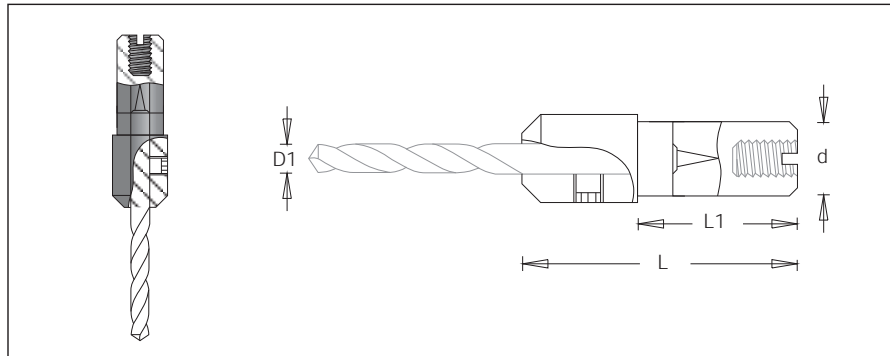
Slot Mortising



Counter Sinking & Plug maker



## 2039 - Chuck A dapter for Solid H M O r H S D rills

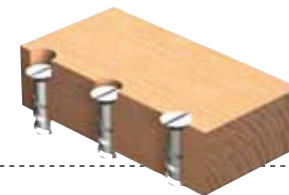
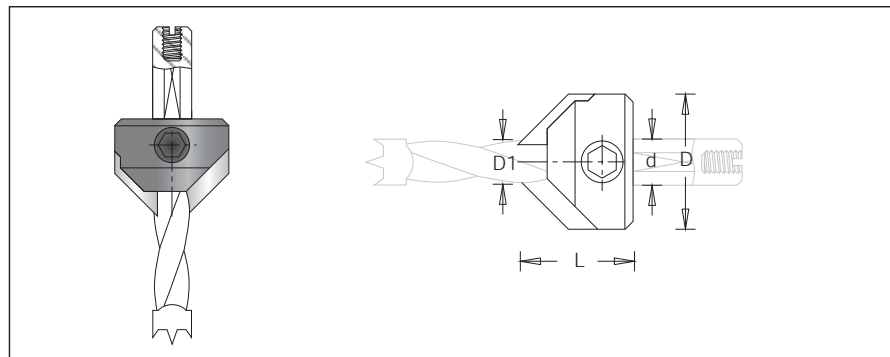


øD1	Code No.	L1	L	ød
2.0	203 950 7	22	38	10
2.5	203 951 7	22	38	10
3.0	203 952 7	22	38	10
3.2	203 953 7	22	38	10
3.5	203 954 7	22	38	10
4.0	203 955 7	22	38	10
5.0	203 956 7	22	38	10



Screw  
#193 682 0  
M6x10

## 2022 - Countersink for D owel D rills



øD1	øD	Code No.		L	ød
		Right	Left		
4	15.6	202 202 0	202 203 0	17.5	4
5	16.0	202 200 0	202 201 0	17.5	5
6	16.0	202 204 0	202 205 0	17.5	6
7	16.0	202 206 0	202 207 0	17.5	7
8	18.0	202 210 0	202 211 0	17.5	8
9	18.0	202 214 0	202 215 0	17.5	9
10	20.0	202 220 0	202 221 0	17.5	10
12	20.0	202 224 0	202 225 0	18.0	12
5-10	15.5	202 226 0 *	202 227 0 *	16.5	10
5-10	20.0	202 230 0 *	202 231 0 *	17.5	10



Screw  
#193 682 0  
M6x10

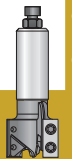


\* This countersink is assembled on the shank of the drill.  
Series of countersinks suitable for dowel drills

Sawing



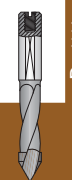
CNC



Cutting



D rilling

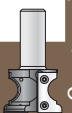


Routing



Plastic, Corian, Aluminium

Custom Tooling

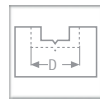




# D rilling



CNC & Automatic Machines



Multi Purpose Boring



Slot Mortising



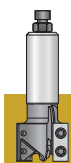
Counter Sinking & Plug maker



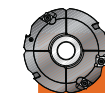
Sawing



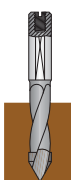
CNC



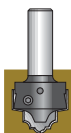
Cutting



D rilling

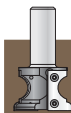


Routing

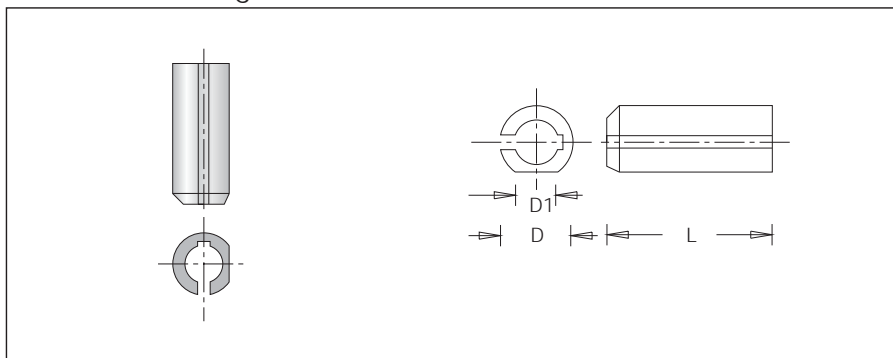


Plastic, Corian, Aluminium

Custom Tooling



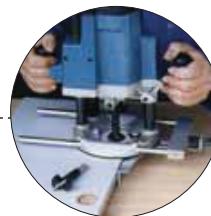
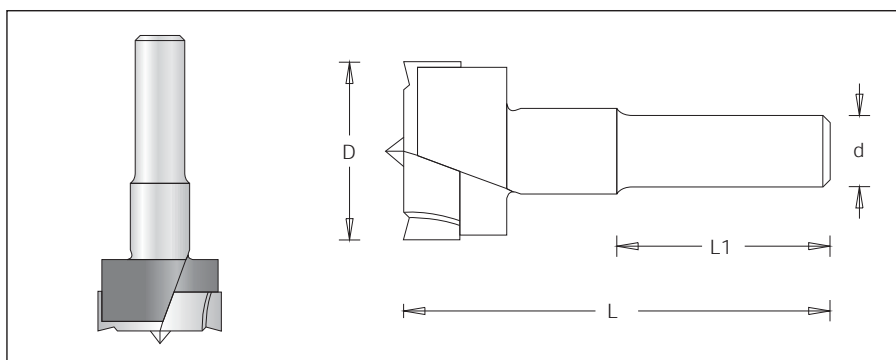
## Reduction Bushing for Combi Chuck



$\phi D1$	$\phi D$	Code No.	L
2.0	10	192 456 0	23
2.5	10	192 457 0	23
3.0	10	192 451 0	23
3.2	10	192 458 0	23
3.5	10	192 452 0	23
4.0	10	192 453 0	23
5.0	10	192 454 0	23
6.0	10	192 460 0	23
7.0	10	192 461 0	23
8.0	10	192 455 0	23

⚠ To use with solid HM or HSS D rills  
Adapts to combi chuck with two tightening screws

## 2034 Cylinder Boring Bit For Router Machine



$\phi D$	Code No.	L1	L	$\phi d$
25	2034 41 5	30	60	8
25	2034 41 9	30	60	12
30	2034 46 5	30	60	8
30	2034 46 9	30	60	12
35	2034 51 5	30	60	8
35	2034 51 9	30	60	12

⚠ Specially designed drills for high rotation speed.  
Suitable for covered board and natural wood.