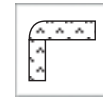


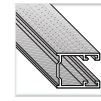
Plastic



Plastic



Corian



Aluminum



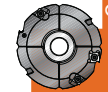
Sawing



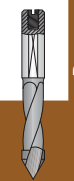
CNC



Cutting



Drilling

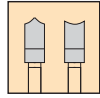
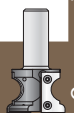


Routing

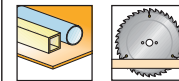
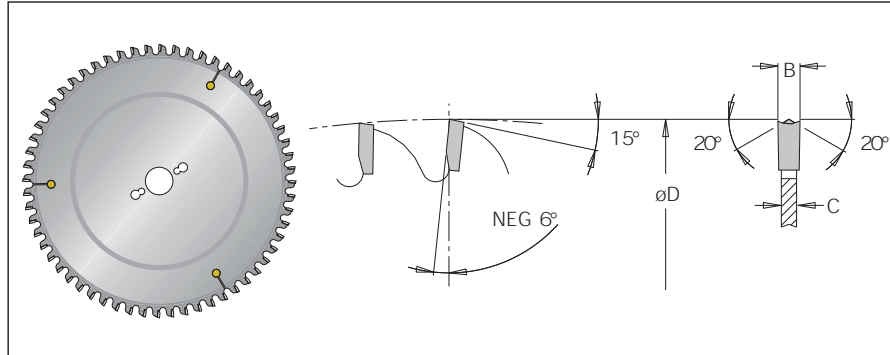


Plastic, Corian, Aluminum

Custom Tooling



MDN - Trimming & Sizing Saw Blade



øD	Teeth	Code No.	B	c	n	m/min	ød
220	42	901 10 65 6	3.2	2.2	6000-8600	13-18	30
253	48	901 10 13 6	3.2	2.2	5200-7500	12-18	30
303	60	901 10 85 6	3.2	2.2	4400-6300	13-19	30

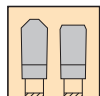
Manufacturing Technology:



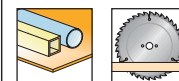
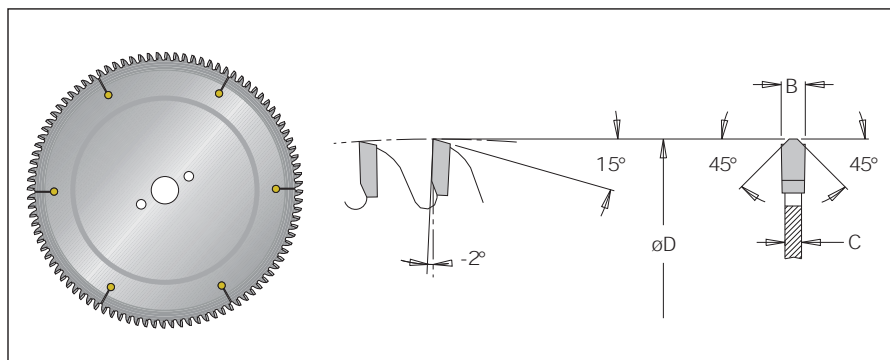
Dynamic Balancing



Dynamic Straightness



MU P - Plastic Trimming & Sizing Saw Blade

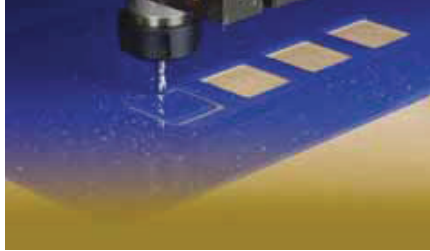


øD	Teeth	Code No.	B	c	ød
250	80	901 07 03 6	2.5	1.8	30
300	96	901 07 06 6	3.3	2.6	30
350	108	901 07 09 6	3.7	3	30

Manufacturing Technology:



Dynamic Straightness



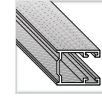
Plastic



Plastic



Corian



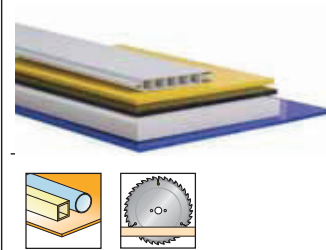
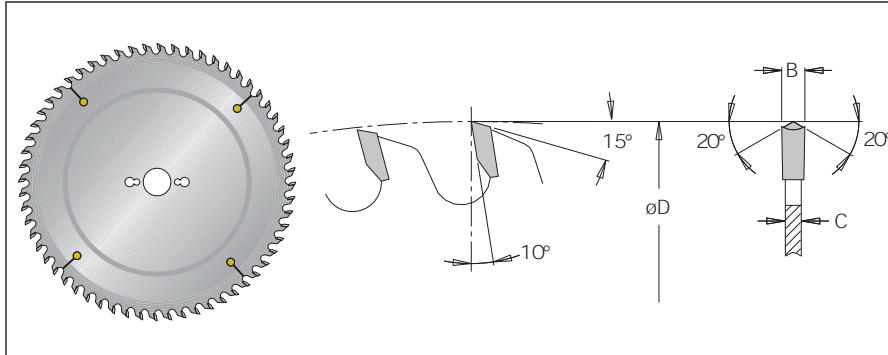
Aluminum



Sawing

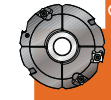


MD - Trimming & Sizing Saw Blade



CNC

Cutting



ϕD	Teeth	Code No.	B	c	n	m/min	ϕd
220	42	901 10 60 6	3.2	2.2	6000-8600	13-18	30
230	42	901 10 70 6	3.2	2.2	5800-8300	12-17	30
253	48	901 10 10 6	3.2	2.2	5200-7500	12-18	30
303	60	901 10 25 6	3.3	2.4	4400-6300	13-19	30
350	72	901 10 30 6	3.2	2.2	3800-5400	14-19	30

Manufacturing Technology:

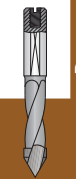


Dynamic Balancing



Dynamic Straightness Above 250 Diameter

Drilling

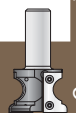


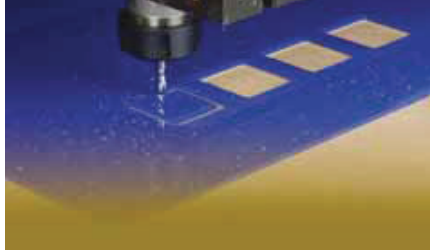
Routing



Plastic, Corian, Aluminum

Custom Tooling

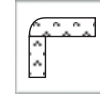




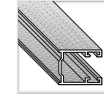
Plastic



Plastic



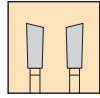
Corian



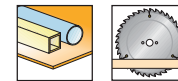
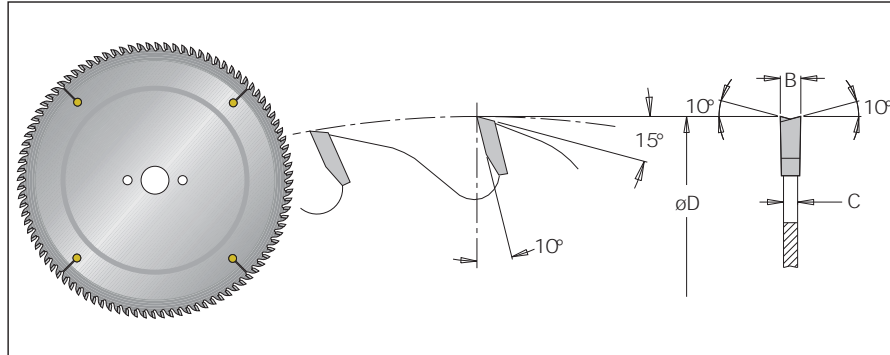
Aluminum



Sawing

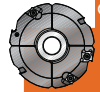


MW - Trimming & Sizing Saw Blade



CNC

Cutting



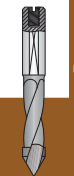
øD	Teeth	Code No.	B	c	ød	n	m/min
150	30	901 03 50 6	3.0	2.0	30	6300-10100	32-52
	36	901 03 60 6	3.0	2.0	30	6300-10100	39-62
	48	901 05 30 6	3.0	2.0	30	6300-10100	51-82
180	42	901 03 80 6	3.0	2.0	30	5300-8400	38-60
	58	901 05 40 6	3.0	2.0	30	5300-8400	52-83
200	48	901 04 00 6	3.0	2.0	30	4700-7600	38-62
	64	901 05 50 6	3.0	2.0	30	4700-7600	51-83
220	48	901 04 03 6	3.0	2.0	30	4300-6900	35-56
	64	901 05 59 6	3.0	2.0	30	4300-6900	47-75
250	60	901 04 10 6	3.2	2.2	30	3800-6100	39-62
	80	901 05 70 6	3.2	2.2	30	3800-6100	52-83
300	60	901 04 20 6	3.2	2.2	30	3100-5000	32-51
	72	901 04 30 6	3.2	2.2	30	3100-5000	38-61
	96	901 05 80 6	3.2	2.2	30	3100-5000	51-82
350	72	901 04 40 6	3.5	2.5	30	2700-4300	33-53
	84	901 04 50 6	3.5	2.5	30	2700-4300	39-61
400	108	901 05 90 6	3.5	2.5	30	2700-4300	50-79
	96	901 04 60 6	3.5	2.5	30	2300-3800	38-62
450	120	901 06 00 6	3.5	2.5	30	2300-3800	47-78
	108	901 04 62 6	4.0	2.8	30	2100-3300	39-61
	132	901 06 03 6	4.0	2.8	30	2100-3300	47-74
500	120	901 04 63 6	4.4	3.0	30	1900-3000	39-61

Manufacturing Technology:



Dynamic
Straightness
Above 250
Diameter

Drilling



Routing



Plastic, Corian, Aluminum

Custom Tooling

