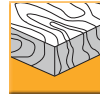




Sawing



Solid Wood



Boards



Plastic



Aluminium



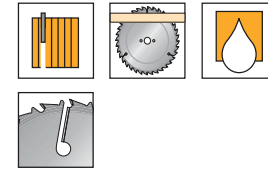
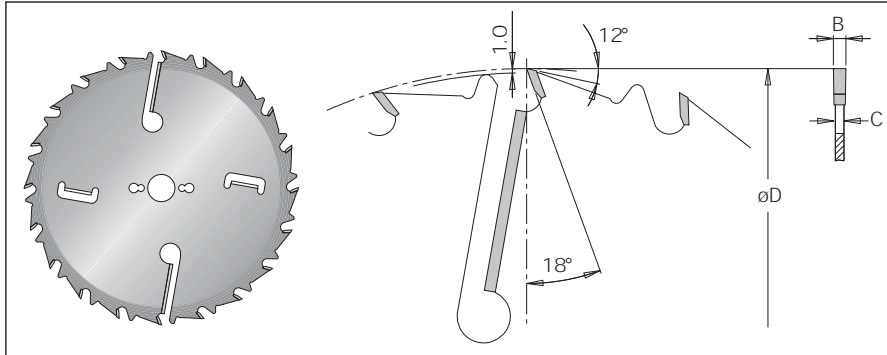
Sawblade for Portable Machines



Sawing

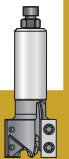


MFG M - Rip Saw Blade



øD	Teeth	Code No.	B	c	n	m/min	ød
300	20+2+2	904 00 35 6	3.2	2.2	3800-6300	11-19	30
350	24+2+2	904 00 55 6	3.5	2.5	3200-5400	12-19	30

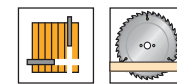
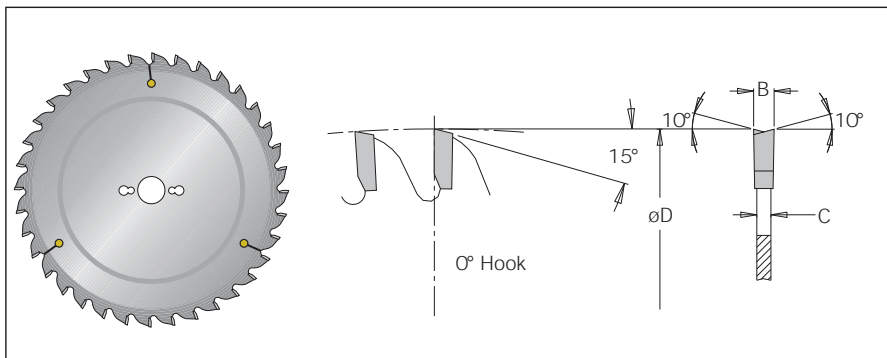
⚠ With rakers to prevent the wood from making contact with the saw body



CNC

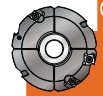


MWO - Cross Cut Saw Blade

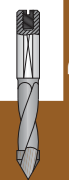


øD	Teeth	Code No.	B	c	n	m/min	ød
250	24	908 01 10 6	3.4	2.4	4500-7600	16-27	30
	42	908 01 20 6	3.4	2.4	4500-7600	28-48	30
300	36	908 01 30 6	3.8	2.8	3800-6300	21-34	30
350	42	908 01 50 6	4.2	2.8	3200-5400	20-34	30
400	48	908 01 70 6	4.2	3	2800-4500	20-32	30

⚠ Meant for over arm machine.



Cutting

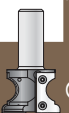


Drilling



Routing

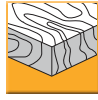
Plastic, Corian, Aluminium



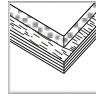
Custom Tooling



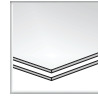
Sawing



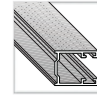
Solid Wood



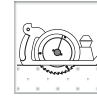
Boards



Plastic



Aluminium



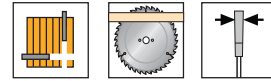
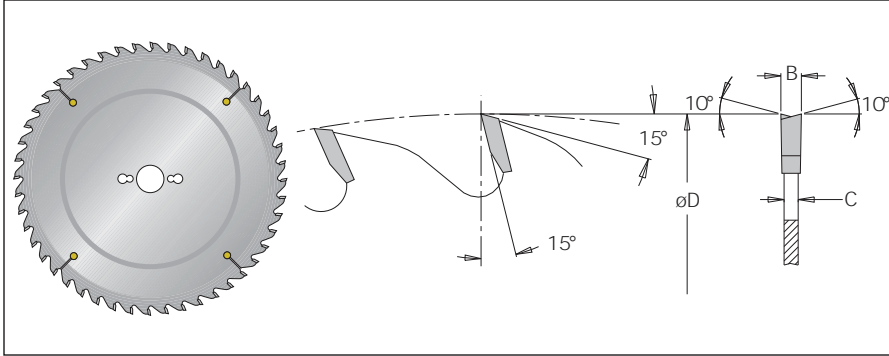
Sawblade for Portable Machines



Sawing



MWD - Trimming & Cross Cut Thin Kerf Saw Blade



CNC

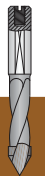
øD	Teeth	Code No.	B	c	n	m/min	ød
150	24	901 30 10 6	2.3	1.6	7600-12000	27-43	30
180	30	901 30 20 6	2.3	1.6	6300-10000	28-45	30
200	34	901 30 30 6	2.3	1.6	5700-9000	29-46	30
230	34	901 30 40 6	2.3	1.6	4900-8300	25-42	30
250	40	901 30 50 6	2.3	1.6	4500-7600	27-46	30
300	48	901 30 60 6	2.3	1.6	3800-6300	27-45	30
350	54	901 30 70 6	2.3	1.6	3200-5400	26-44	30
380	48	901 30 80 6	2.7	2.0	3000-5000	22-36	30

Use a flange whose diameter is half the diameter of the sawblade.

Cutting



Drilling

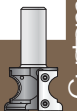


Routing



Plastic, Corian, Aluminium

Custom Tooling





Sawing



Solid Wood



Boards



Plastic



Aluminium



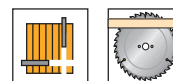
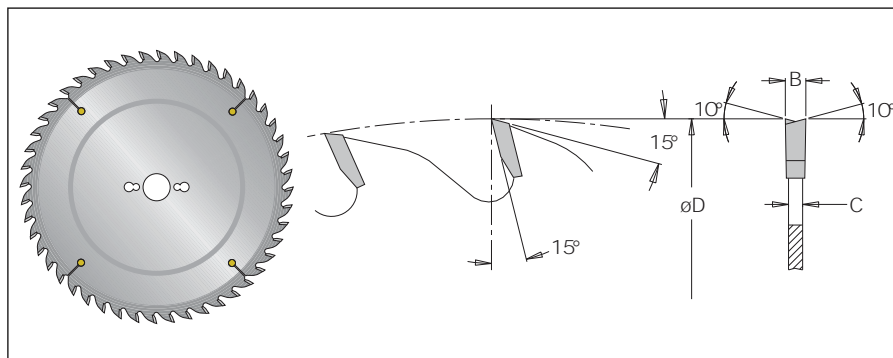
Sawblade for Portable Machines



Sawing



MW - Trimming & Cross Cut Saw Blade

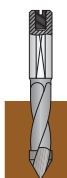


CNC

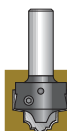
øD	Teeth	Code No.	B	c	n	m/min	ød
150	24	901 02 20 6	3.0	2.0	6300-10100	26-41	30
180	24	901 01 30 6	3.0	2.0	6300-10000	23-38	30
180	30	901 02 30 6	3.0	2.0	5300-8400	27-43	30
200	24	901 01 40 6	3.0	2.0	5700-9000	21-32	30
200	34	901 02 40 6	3.0	2.0	4700-7600	27-44	30
220	24	901 01 45 6	3.0	2.0	5200-8500	19-31	30
220	34	901 02 43 6	3.0	2.0	4300-6900	25-40	30
250	30	901 01 60 6	3.2	2.2	4500-7600	20-34	30
250	40	901 02 60 6	3.2	2.2	3800-6100	26-41	30
250	48	901 02 63 6	3.2	2.2	3800-6100	31-50	30
300	36	901 01 70 6	3.2	2.2	3800-6300	21-34	30
300	48	901 02 70 6	3.2	2.2	3100-5000	25-41	30
350	36	901 01 79 6	3.5	2.5	3200-5400	17-29	30
350	42	901 01 80 6	3.5	2.5	3200-5400	20-34	30
350	54	901 02 80 6	3.5	2.5	2700-4300	25-39	30
400	48	901 01 90 6	3.5	2.5	2800-4500	20-32	30
400	60	901 02 90 6	3.5	2.5	2300-3800	23-39	30
450	54	901 02 00 6	4.0	2.8	2500-4000	20-32	30
450	66	901 03 00 6	4.0	2.8	2100-3300	24-37	30
500	60	901 02 05 6	4.4	3.0	2200-3500	20-32	30
500	72	901 03 20 6	4.4	3.0	1900-3000	23-37	30



Cutting



Drilling



Routing

Plastic, Corian, Aluminium



Custom Tooling